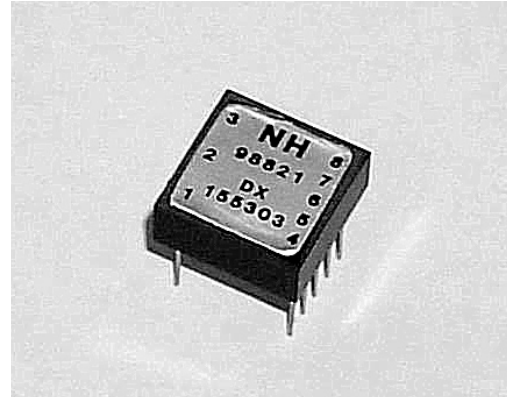


MIL-STD-1553 DATA BUS TRANSFORMERS

The North Hills DX Line of data bus transformers has been designed specifically for MIL-STD-1553 users desiring an extra margin of CMR at lower cost. These units are available with a variety of turns ratios for different transceivers and power supplies. They will meet the requirements of MIL-STD-1553A, MIL-STD-1553B, MDC A-3818, -5690, -5232, and -4905 with trapezoidal or sinusoidal waveforms. Custom configurations to meet your specific requirements are available with fast turnaround.



North Hills Model # DX155303 Data Bus Transformer.

All couplers are manufactured to MIL-T-21038 specifications. Specification Control Drawings are available to help you to document the part selected for your system.

Features:

- 55 dB common mode rejection (min.)
- For use in 1553 or MACAIR

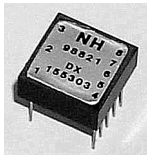
Benefits:

- All standard voltages
- All standard turns ratios
- Standard board-mount version
- Surface-mount version (optional)

Electrical Specifications:

Parameter	Value
Turns Ratio	See ordering information on back
Output Rise Time	<150 ns
Pulse Width	2 μ s
Overshoot	<1 V
Droop	20% max (250 kHz Input)
Dielectric Withstanding Voltage	100 Vrms
DC Resistance	See ordering information on back
Input Impedance	See ordering information on back
Insulation Resistance	1000 M Ω
Common Mode Rejection	55 dB min
Operating Temperature	-55°C to +125°C
Storage Temperature	-55°C to +150°C
Weight	0.175 oz (5 g)

Specifications subject to change without notice.



MIL-STD-1553 DATA BUS TRANSFORMERS

Designed specifically for MIL-STD-1553 users desiring an extra margin of CMR at lower cost.

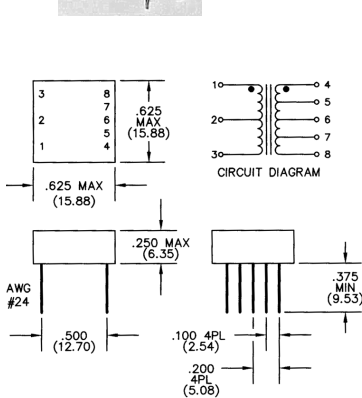


Fig. 1. Configuration A

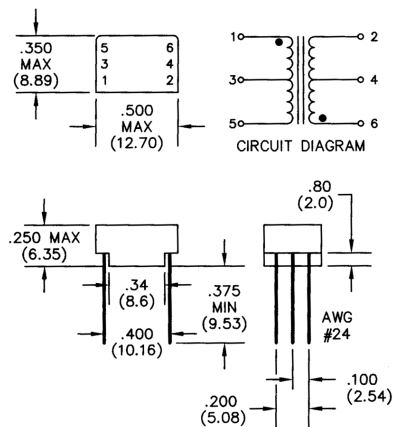


Fig. 2. Configuration B

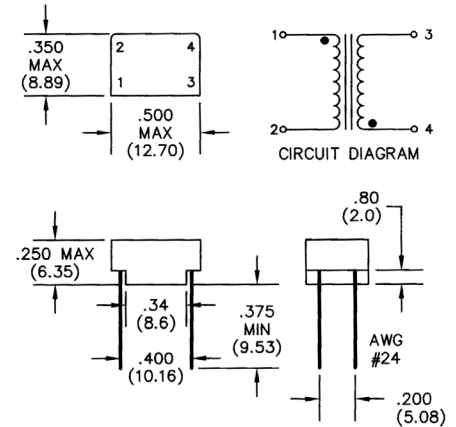


Fig. 3. Configuration C

Ordering Information:

Model #	Turns Ratio ($\pm 3\%$)	Primary	Secondary	DC Resistance Ω (max)		Input Impedance Ω (min)	Configuration
DX155301	1:1	1-3	4-8	1-3	3.0	(1-3)	A
	1:1.707	1-3	5-7	4-8	3.0	4000	
	1.4:1	1-3	4-8	1-3	3.5	(1-3)	
	2:1	1-3	5-7	4-8	3.0	7,200	
DX155303	1.25:1	1-3	4-8	1-3	3.2	(1-3)	A
	1.66:1	1-3	5-7	4-8	3.0	4000	
DX155304	2.3:1	4-8	1-3	1-3	1.2	(5-7)	A
	3.2:1	5-7	1-3	4-8	3.0	3,000	
DX155305	1:1.41	1-2	3-4	1-2	2.2	(3-4)	C
		3-4	2-7	3-4	2.7	3,000	
DX155306	1:1	1-5	2-6	1-5	2.5	(1-5)	B
		2-6	2-8	2-6	2.8	3,000	
DX155307	1:1.41	1-5	2-6	1-5	2.2	(2-6)	B
		2-6	2-7	2-6	2.7	3,000	
DX155308	1:1.66	1-5	2-6	1-5	1.5	(2-6)	B
		2-6	2.4	2-6	2.4	3,000	
DX155309	1:2	1-5	2-6	1-5	1.3	(2-6)	B
		2-6	2.6	2-6	2.6	3000	
DX155310	2.12:1	4-8	1-3	1-3	1.0	(4-8)	B
		5-7	1-3	4-8	3.5	4000	
DX155325	1:1.5	1-5	2-6	1-5	0.9	(2-6)	A
		2-6	2.5	2-6	2.5	3,000	
DX155345	1:2.5	1-3	4-8	1-3	0.8	(4-8)	A
		1:1.79	1-3	5-7	5-7	1.7	

Specifications subject to change without notice.

[Click here for a full list of accessories](#)

North Hills™ Signal Processing Corp.

6851 Jericho Turnpike
Syosset, NY 11791

Phone: 516-682-7700
Fax: 516-682-7704

A Leading Provider of Measurement and Connectivity Solutions
www.northhills-sp.com