

In-Line Mini Data Bus Coupler



Data Sheet

North Hills has developed a series of miniature data bus couplers for programs that are weight sensitive and have limited space and volume for installation. The couplers meet all MIL-STD-1553 electrical requirements and are manufactured using North Hills transformers and MIL-R-39007 one Watt minimum resistors. The parts can be purchased with internal termination resistors to further reduce installation complexity and parts count.

The couplers are supplied with one foot lengths of MIL-C-17/176-00002 cable without connectors for in-line splicing. Other lengths are readily available and connectors can be added if required. The couplers can also be provided as a fully tested harness assembly ready for installation.



North Hills Model # DB20015 In-Line Mini Coupler.

Features:

- Internal terminating resistor
- New slender design

Benefits:

- Easy to install -- reduces part count
- Ideal for programs that are weight sensitive and have limited space

Specifications

Electrical (All parameters are in accordance with IAW MIL-STD-1553B, Notice 1.)	
Parameter	Value
Droop	20% Maximum @ 250 kHz
Overshoot and Ringing	$\pm 1.0V$ Peak (250 kHz square wave input with 100 ns maximum rise and fall time)
Common Mode Rejection	-45.0 dB (Max.) @ 1 MHz
Fault Protection	$59\Omega \pm 1\%$, 1 Watt per MIL-R-39007
Input Impedance of Transformer ¹	3000Ω minimum (75 kHz to 1.0 MHz)
Stub Voltage	1.0V to 14.0V _{pp} transformer coupled
Operating Temperature	-55°C to 125°C
Storage Temperature	-55°C to 155°C
Electrical Notes	Isolation Resistors $R_S = 0.75 Z_o$ (1W Min. Per MIL-R-39007) Termination Resistor $R_T = 76.8 \text{ ohms} \pm 1\%$ (1W Min. Per MIL-R-39007) Nominal Line Impedance of Bus $Z_o = 77\Omega$ Transformer Turns Ratio = 1:1.41 $\pm 3\%$

Higher temperature units available.

¹ Individual input open-circuit

Specifications subject to change without notice.

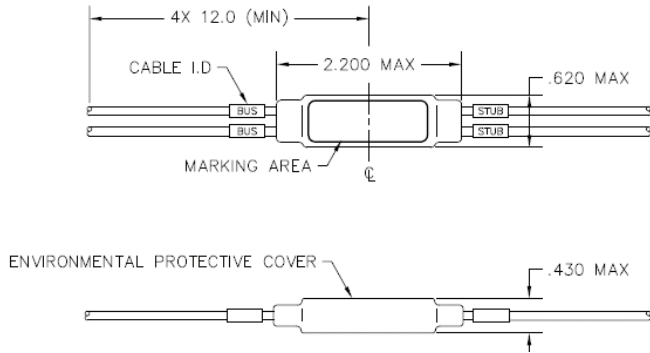


For more information: www.BTTC-Beta.com/InlineMini

Technical Drawings

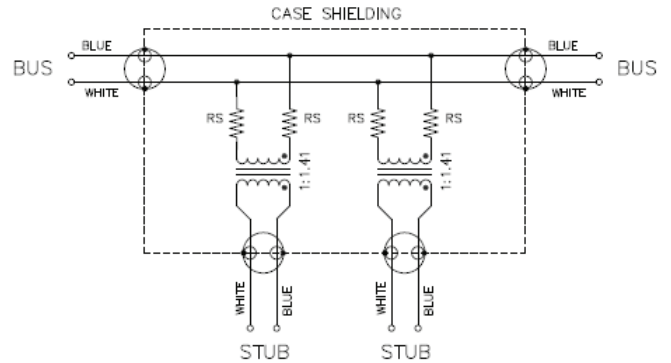
Mechanical Drawing

DB20015

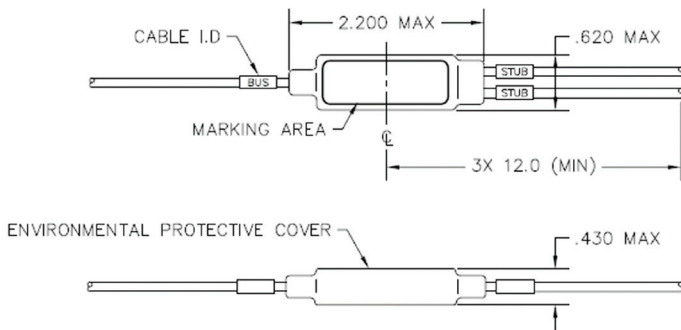


Simplified Schematic

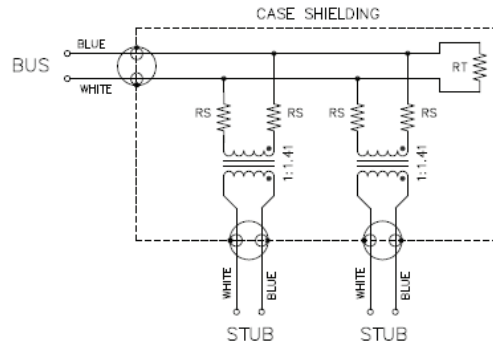
DB20015



DB22015



DB22015



Specifications

Materials (unless otherwise specified)	
Parameter	Value
Cable:	Per MIL-C-17/176-00002
Case Material:	Cold Rolled Steel, Hot Tinned
Weight :	15 grams (excluding cables)
Environmental Sleeve:	Per MIL-DTL-23053/5, Color: Black.

All cables identified with marked heat shrink sleeves.

Dimensions include environmental protective cover.

Ordering Information

Model #	Description
DB20015	2 Stub
DB22015	2 Stub with Terminator



The information in this Brochure is believed to be accurate; however, no responsibility is assumed by Beta Transformer Technology Corporation for its use, and no license or rights are granted by implication or otherwise in connection therewith. Specifications are subject to change without notice.

For ordering assistance and technical support,

E-Mail: service@BTTC-Beta.com

Visit: BTTC-Beta.com Data Device Corporation

Call: HQ, N.Y., U.S.A (631) 224-7393

UK +44-(0)1635-811140

France +33-(0)1-41-16-3424

Germany +49-(0)89-1500-12-11

Japan +81-(0)3-3814-7688

Asia +65-6489-4801

India +91 80 46797 0368

