

Box-Type, Single-Stub Data Bus Coupler



Data Sheet

North Hills manufactures a full line of single-stub couplers for MIL-STD-1553. All four versions of USAF #7822056 are available from stock as are most other devices in our standard box-type DB series. Multiple-stub and in-line couplers are described in separate data sheets.

North Hills couplers provide 55 dB common mode rejection and are fabricated using a hot tinned cold rolled steel case which is solder sealed for superior environmental, EMI and corrosion protection. A full environmental qualification report and source control drawing template are available upon request for select products.



North Hills Model # DB02M01E Box-Type, Single-Stub Data Bus Coupler.

Features:

- 55 dB common mode rejection (CMR)
- High EMI resistance
- All industry standard connectors

Benefits:

- Flight qualified
- All four USAF #7822056 versions
- In stock
- Low cost

Specifications:

Electrical (All parameters are in accordance with MIL-STD-1553B and Notice 2)	
Parameter	Description
Droop	20% Maximum (250 kHz)
Overshoot and Ringing	$\pm 1.0V$ Peak (250 kHz square wave with 100 ns max rise and fall)
Common Mode Rejection	-55.0 dB (Min) @ 1 MHz
Fault Protection	$59\Omega \pm 1\%$, 1 Watt per MIL-R-39007
Turns Ratio	1:1.41 or 1.0:1.0
Stub Voltage	1.0V _{pp} to 14.0V _{pp} transformer coupled
Operating Temperature	-55°C to +125°C
Storage Temperature	-55°C to +150°C

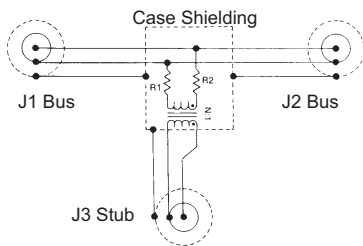
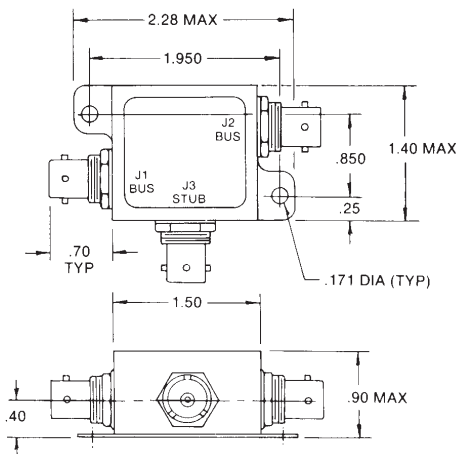
Higher temperature units available. Specifications subject to change without notice.



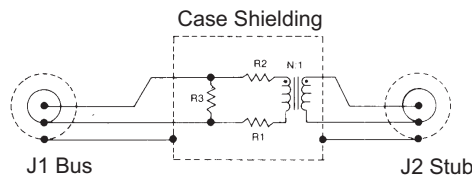
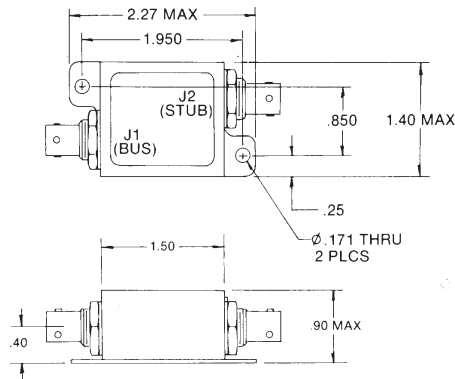
For more information: www.BTTC-Beta.com/Singlestub

Technical Drawings

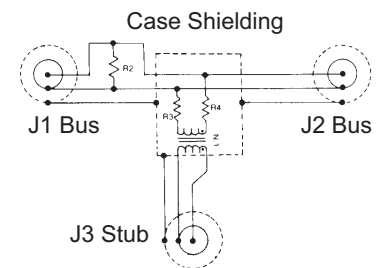
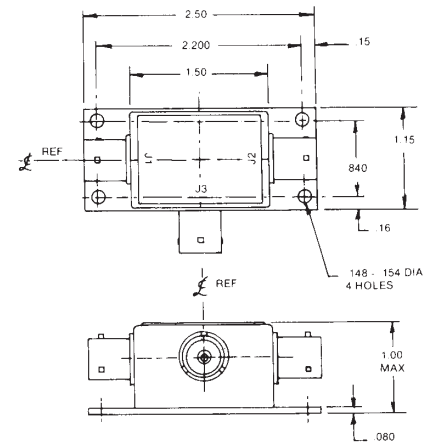
DB0-SERIES



DB12012



NH12824-27/USAF 7822056-XXX



Ordering Information

Model #	Connector	Mating Connector	Terminator (recomm.)	Weight (g)	Turns Ratio	Case Material	Isolation Resistors (Ω)	Comment
DB01M01E	Raychem D-621-0012 Female Socket D-602-0127	Raychem D-621-0011 Male Pin D-602-0126		65	1.4:1	Tinned CRS	59	-55 dB CMR
DB02M01E	Trompeter BJ71	Trompeter PL75	RT500078	75	1.4:1	Tinned CRS	59	-55 dB CMR
DB03M01E	Trompeter BJ371	Trompeter PL375	RT600078	75	1.4:1	Tinned CRS	59	-55 dB CMR
DB04M01E	Trompeter BJ3150	Trompeter PL3155	RT800078	75	1.4:1	Tinned CRS	59	-55 dB CMR
DB05M01E	Trompeter BJ150	Trompeter PL155	RT700078	75	1.4:1	Tinned CRS	59	-55 dB CMR
NH12824	Trompeter BJ71	Trompeter PL75	RT500078	65	1.0:1	AL	59	Low Cost USAF#7822056-001
NH12825*	Trompeter BJ71	Trompeter PL75		65	1.0:1	AL	53.5	Low Cost USAF#7822056-003*
NH12826	Trompeter BJ71	Trompeter PL75	RT500078	65	1.4:1	AL	56.2	Low Cost USAF#7822056-005
NH12827*	Trompeter BJ71	Trompeter PL75		65	1.4:1	AL	56.2	Low Cost USAF#7822056-007*
NH12915	Trompeter BJ71	Trompeter PL75	RT500078	65	1.4:1	AL	59	Low Cost -55 dB CMR
DB12012*	Trompeter BJ71	Trompeter PL75		75	1.4:1	Tinned CRS	59	-55 dB CMR

*Contains internal 76.8 Ω termination resistor.



The information in this Brochure is believed to be accurate; however, no responsibility is assumed by Beta Transformer Technology Corporation for its use, and no license or rights are granted by implication or otherwise in connection therewith. Specifications are subject to change without notice.

For ordering assistance and technical support,

E-Mail: service@BTTC-Beta.com

Visit: BTTC-Beta.com Data Device Corporation

Call: HQ, N.Y., U.S.A (631) 224-7393

UK +44-(0)1635-811140
 France +33-(0)1-41-16-3424
 Germany +49-(0)89-1500-12-11
 Japan +81-(0)3-3814-7688
 Asia +65-6489-4801
 India +91 80 46797 0368

