

NH16392 / NH16403 - Longitudinal Balance Testing Calibration Procedure

Application Note

AN/166

One-Port Balance Measurement

1. On the Network Analyzer, set the frequency range and select the Thru (B/R or S21) measurement. Adjust Reference Position to the top of the display if necessary.
2. Connect Network Analyzer Output to J2 of LBB and Input to J1. Insert the Calibration termination to the balanced output terminals of the LBB.
3. Perform a Thru Calibration. Set Reference Level and Marker Offset to 30dB (See next page). Remove the Calibration termination. You are now ready to test.

NOTE: The above procedure has calibrated out the correction factor. The Network Analyzer can now be read directly as the longitudinal balance.

Procedure for setting 30dB offset (or any other offset) on the HP3577A and HP8753C Network Analyzers:

HP3577A:

1. Press SCALE button.
2. Press REF LEVEL button on the screen.
3. Enter a value of 30dB.

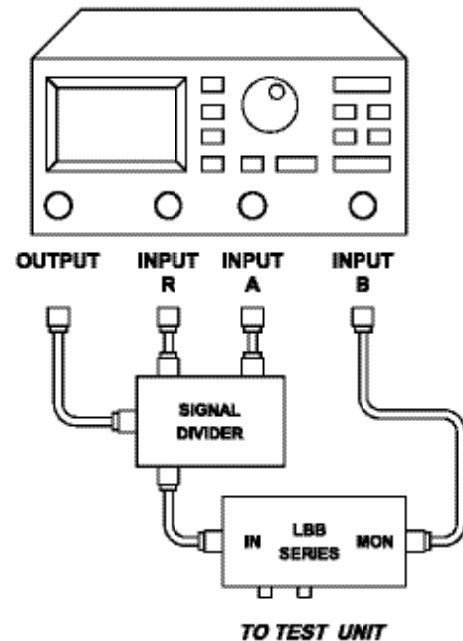
HP8753C:

1. Press SCALE REF button.
2. Press REFERENCE VALUE button on the screen.
3. Enter 30dB.

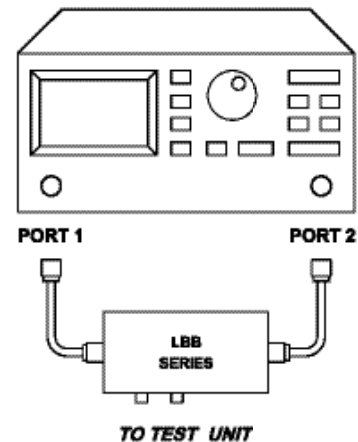
1. Press the MKR button.
2. Press MARKER OFFSET button on the screen.
3. Enter a value of 30dB.
4. Press MKR OFFSET ON button on the screen.

1. Press MKR button
2. Press Δ MODE MENU button on the screen.
3. Press FIXED MKR POSITION on the screen.
4. Press FIXED MKR VALUE on the screen.
5. Enter 30dB. Press RETURN on the screen.
6. Press Δ REF = Δ FIXED MKR on the screen.
7. Press MKR button.

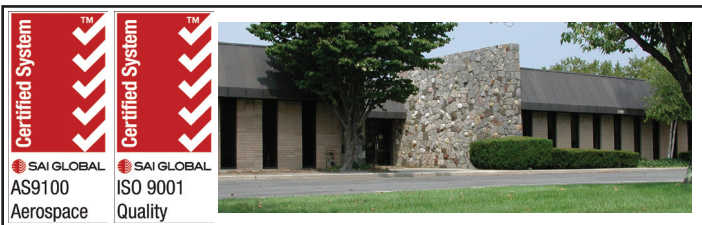
THRU MEASUREMENT (B/R)



THRU MEASUREMENT (S21 / S12)



	PORT 1	PORT 2
S21	IN	MON
S12	MON	IN



The information in this Brochure is believed to be accurate; however, no responsibility is assumed by Beta Transformer Technology Corporation for its use, and no license or rights are granted by implication or otherwise in connection therewith. Specifications are subject to change without notice.

For ordering assistance and technical support,

E-Mail: service@BTTC-Beta.com

Visit: BTTC-Beta.com    Data Device Corporation

Call: HQ, N.Y., U.S.A (631) 224-7393

UK +44-(0)1635-811140

France +33-(0)1-41-16-3424

Germany +49-(0)89-1500-12-11

Japan +81-(0)3-3814-7688

Asia +65-6489-4801

India +91 80 46797 0368