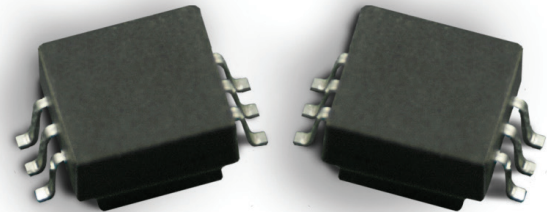


1.5 - 3.2GHz High Speed Cable Isolation Transformers



Data Sheet

North Hills high speed cable isolation transformers are ideally suited for isolation of high speed data transmission lines for speeds up to 3,200 MBaud. Isolation between primary and secondary of 1,500 Vrms offers excellent protection of the circuit and optimum damping of transients. Compact packaging provides for optimal circuit card configuration and space utilization.



Features:

- Compliant with ANSI X3T11 FC-PH-3 up to 1,062 MBaud
- Compliant with SMPTE 292M video data networks
- Compliant with IEEE 1394b / AS5643 Firewire
- Rise and Fall Times less than 130 ps
- Excellent frequency response across the operating range
- Low profile / Pick and Place compatible
- Small and Lightweight - ideal for weight sensitive applications
- Maximum reflow temperature: 230°C
- Moisture Sensitivity Level 3 (MSL4 - LF Version)
- Lead Finish: Tin/Lead
- Operating Temperature: -55°C to +125°C

Specifications

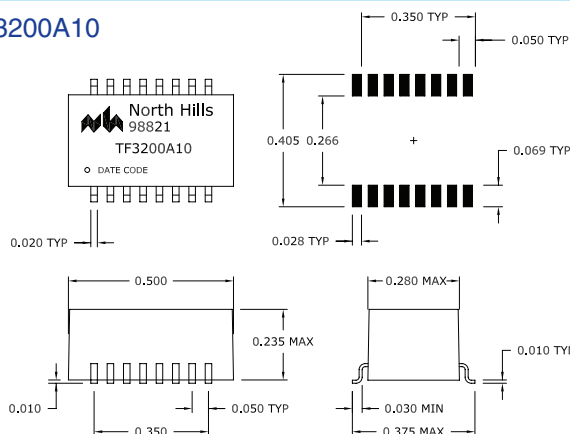
Electrical Characteristics @25°C - Operating Temperature -55°C to +125°C

Part Number	Turns Ratio	Primary Inductance Vrms, 100kHz (H min)	Rise/Fall Time 20% - 80% (ps max)	DC Resistance (W max)	Hi-Pot (Vrms min)	Insertion/Return Loss (dB max)	Application Nominal Bit rate (Mbaud)
TF3200A10	1:1	18	130/100	0.2	1,500	See Plot	3,200
TF3200C10	1:1	12	130/100	0.2	1,500	See Plot	3,200
TF3200A10CT	1:1CT	8.5	125	0.15	1,500	See Plot	3,200
TF3200C10CT	1:1CT	8.5	125	0.15	1,500	See Plot	3,200

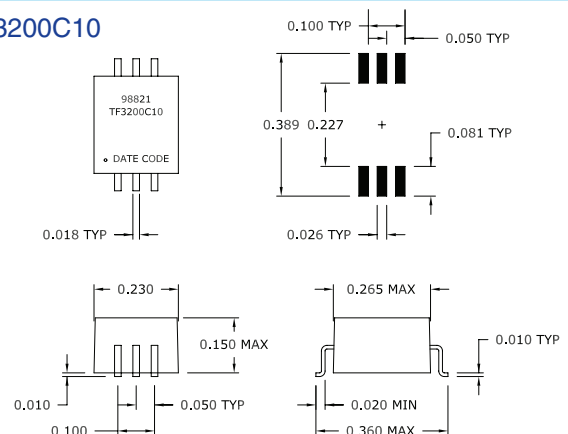
NOTE: Add suffix "LF" to part number to indicate Lead Free version. Add suffix "TR" to part number to indicate Tape and Reel packaging.

Mechanical Drawing

TF3200A10



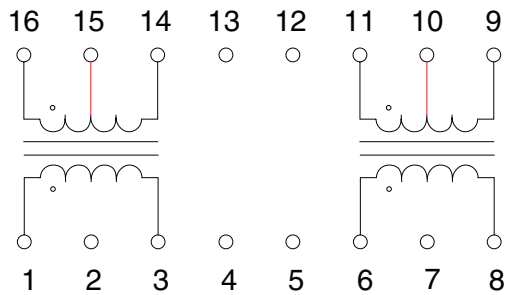
TF3200C10



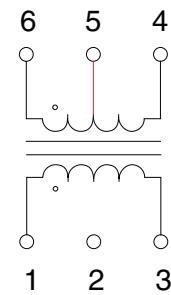
For more information: www.BTTC-Beta.com/HSC3

Simplified Schematic

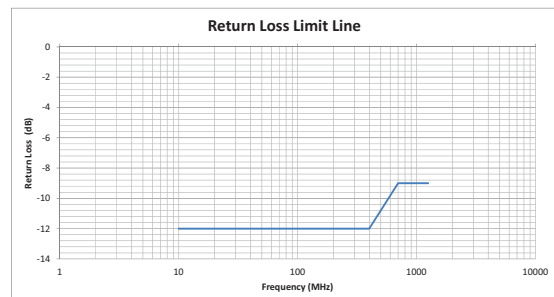
TF3200A10



TF3200C10



Limit Lines



Frequency (MHz)	Requirement Line (Max Loss -dB)
5.00	-2.00
10.00	-1.00
400.00	-1.00
700.00	-2.00
830.00	-3.00
1660.00	-3.00
2000.00	-4.50
2400.00	-6.00

Frequency (MHz)	Requirement Line (Max Loss -dB)
10.00	-12.00
400.00	-12.00
700.00	-9.00
830.00	-9.00
1250.00	-9.00

Specifications

Parameter	TF3200A10	TF3200C10
Weight	1.3 grams	0.81 grams
Tape & Reel Qty	250	500
Tube QTY	25	50
MSL	3	3
Max Reflow	230°C	230°C

center tap on xxxCT version only



The information in this Brochure is believed to be accurate; however, no responsibility is assumed by Beta Transformer Technology Corporation for its use, and no license or rights are granted by implication or otherwise in connection therewith. Specifications are subject to change without notice.

For ordering assistance and technical support,

E-Mail: service@BTTC-Beta.com

Visit: BTTC-Beta.com Data Device Corporation

Call: HQ, N.Y., U.S.A (631) 224-7393

UK +44-(0)1635-811140
 France +33-(0)1-41-16-3424
 Germany +49-(0)89-1500-12-11
 Japan +81-(0)3-3814-7688
 Asia +65-6489-4801
 India +91 80 46797 0368

