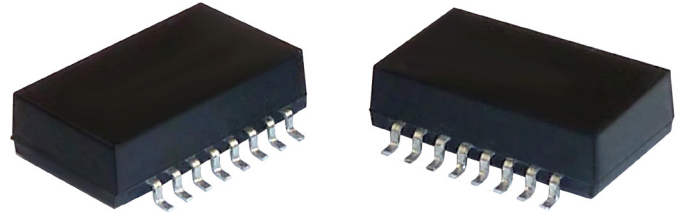


500Mhz - 1.5Ghz High Speed Cable Isolation Transformers



Data Sheet

North Hills high speed cable isolation transformers are ideally suited for isolation of high speed data transmission lines for speeds up to 1,500 MBaud. Isolation between primary and secondary of 1,500 Vrms offers excellent protection of the circuit and optimum damping of transients. Compact packaging provides for optimal circuit card configuration and space utilization.



Features:

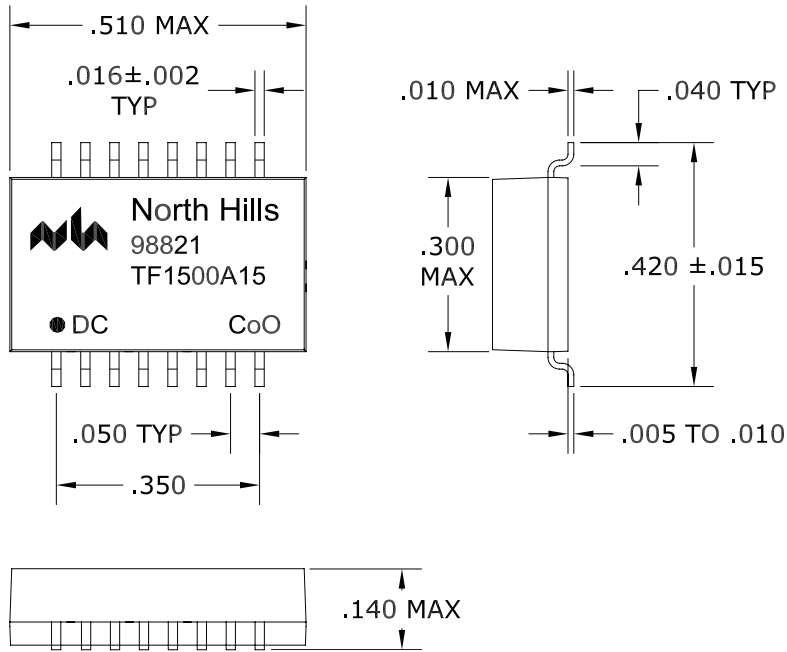
- Compliant with ANSI X3T11 FC-PH-3 up to 1,062 MBaud
- Compliant with SMPTE 292M video data networks
- Compliant with IEEE 1394b / AS5643 Firewire
- Rise and Fall Times less than 280 ps
- Low profile / Pick and Place compatible
- Excellent frequency response across the entire operating range
- Small and Lightweight - ideal for weight sensitive applications
- Moisture Sensitivity Level 3
- Operating Temperature: -55°C to +125°C

Specifications

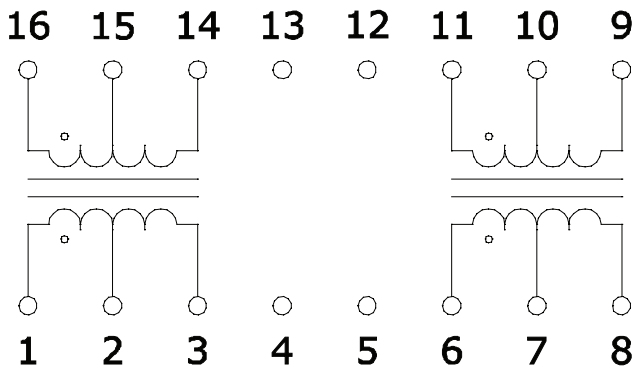
Electrical Characteristics @25°C - Operating Temperature -55°C to +125°C	
Parameter	Value
Turns Ratio	1:1
Primary Inductance 1Vrms, 100Khz (μH Min)	11
Rise/Fall Time 20% - 80% (ps Max)	280
DC Resistance (Ω Max)	0.2
Hi-Pot (Vrms Min)	1,500
Insertion Loss (dB Max)	-2.0
Application Nominal Bit Rate (Mbaud)	531-1,485



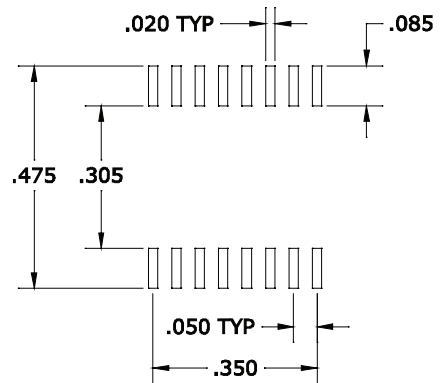
For more information: www.BTTC-Beta.com/HSC1



Simplified Schematic



Recommended Pad Layout



Specifications

Materials	
Parameter	Value
Weight	1.3 grams
Tape & Reel Qty	250
Tube QTY	25
MSL	3
Max Reflow	230°C

Ordering Information

Model #	1F1500A15
---------	-----------

NOTE: Add suffix "TR" to part number to indicate Tape and Reel Packaging



The information in this Brochure is believed to be accurate; however, no responsibility is assumed by Beta Transformer Technology Corporation for its use, and no license or rights are granted by implication or otherwise in connection therewith. Specifications are subject to change without notice.

For ordering assistance and technical support,

E-Mail: service@BTTC-Beta.com

Visit: BTTC-Beta.com Data Device Corporation

Call: HQ, N.Y., U.S.A (631) 224-7393

UK +44-(0)1635-811140

France +33-(0)1-41-16-3424

Germany +49-(0)89-1500-12-11

Japan +81-(0)3-3814-7688

Asia +65-6489-4801

India +91 80 46797 0368

